

NUP 2222 ECP

- Popular item
- SKF Explorer

Cylindrical roller bearings, single row

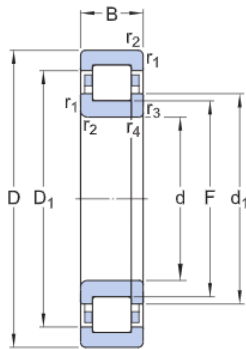
Bearing data

[Tolerances](#),
Normal (metric), P6, Normal (inch),
[Radial internal clearance](#),
cylindrical bore, tapered bore,
[Axial internal clearance](#),
NUP, NJ + HJ

Bearing interfaces

[Seat tolerances for standard conditions](#),
[Tolerances and resultant fit](#)

Technical specification

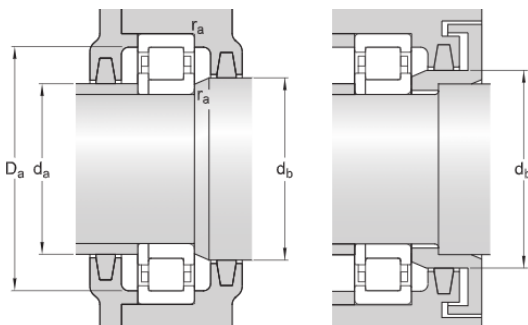


DIMENSIONS

d	110 mm	Bore diameter
D	200 mm	Outside diameter
B	53 mm	Width
d1	≈141 mm	Shoulder diameter of inner ring
D1	≈172.48 mm	Shoulder diameter of outer ring
F	132.5 mm	Chamfer dimension of loose flange ring
r1,2	min.2.1 mm	Chamfer dimension
r3,4	min.2.1 mm	Chamfer dimension of loose flange ring

ABUTMENT DIMENSIONS

da	min.122 mm	Diameter of spacer sleeve
db	min.144 mm	Diameter of shaft abutment
Da	max.187 mm	Diameter of housing abutment
ra	max.2 mm	Radius of fillet



CALCULATION DATA

Basic dynamic load rating	C	440 kN
Basic static load rating	C ₀	520 kN
Fatigue load limit	P _u	61 kN
Reference speed		3 600 r/min
Limiting speed		4 000 r/min
Minimum load factor	k _r	0.2
Limiting value	e	0.3
Axial load factor	Y	0.4

MASS

Mass	6.98 kg
------	---------

More information

<p>Product details</p> <ul style="list-style-type: none"> Designs and variants Bearing data Loads Temperature limits Permissible speed Design considerations Designation system 	<p>Engineering information</p> <ul style="list-style-type: none"> Principles of rolling bearing selection General bearing knowledge Bearing selection process Bearing failure and how to prevent it 	<p>Tools</p> <ul style="list-style-type: none"> SimPro Quick Bearing Select Engineering Calculator LubeSelect for SKF greases Heater selection tool Oil Injection Method Program Rolling bearings mounting and dismounting instructions
--	---	--